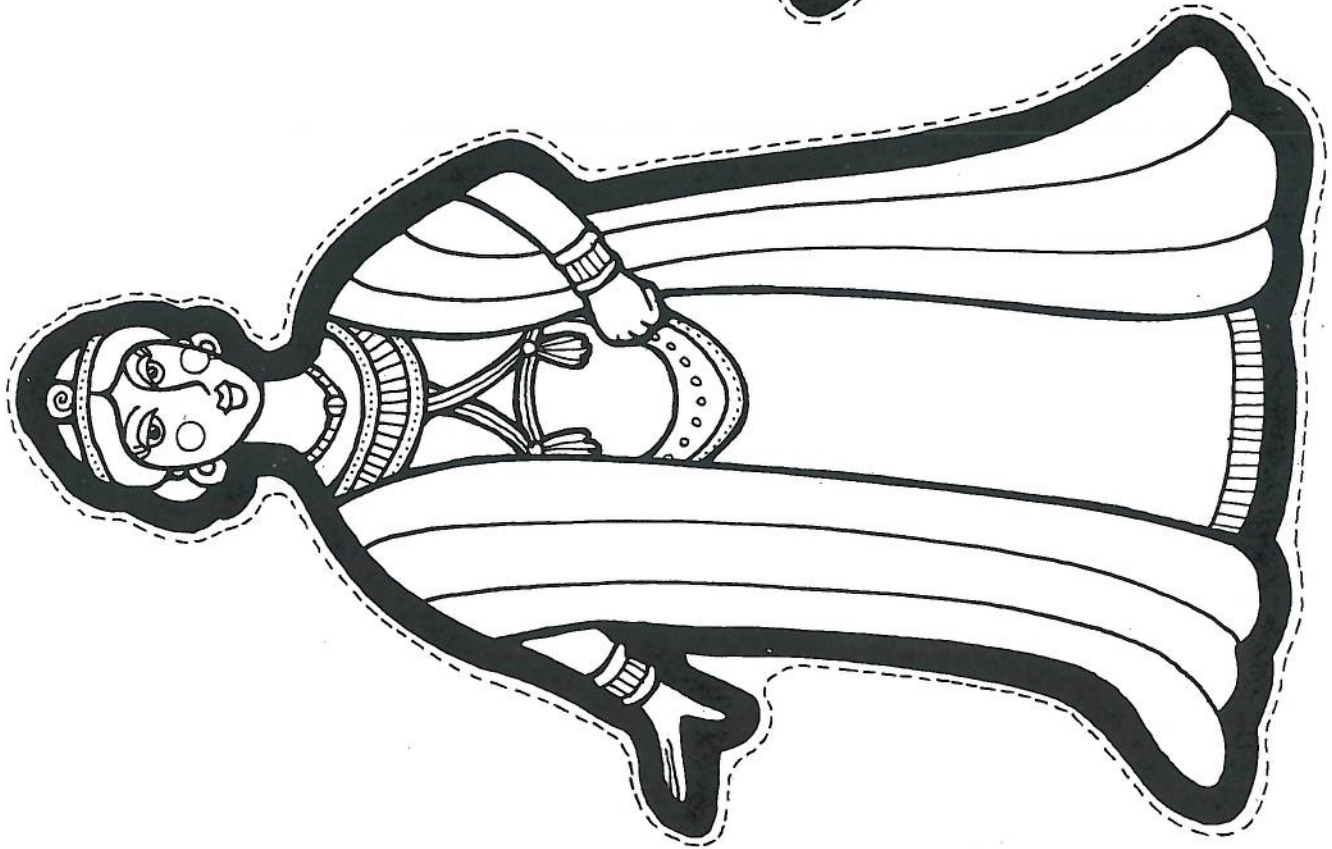


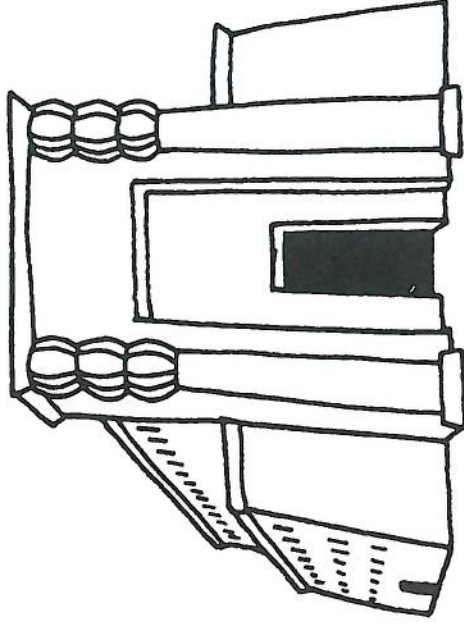
Atthavish  
King Xerxes



Queen Vashti

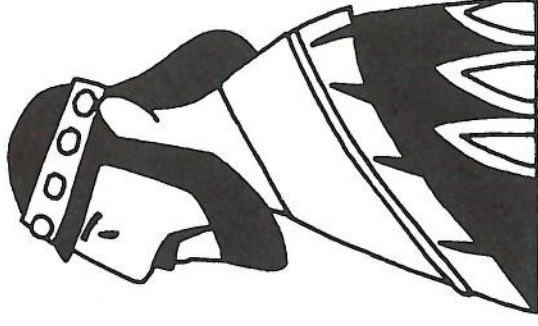
966 B.C.

Athaliah



### The Temple Is Built

1 Kings 5:1—6:38; 7:13-51;  
2 Chronicles 2:1—4:22



### The Queen of Sheba

1 Kings 10:1-13;  
2 Chronicles 9:1-12

royal  
robes





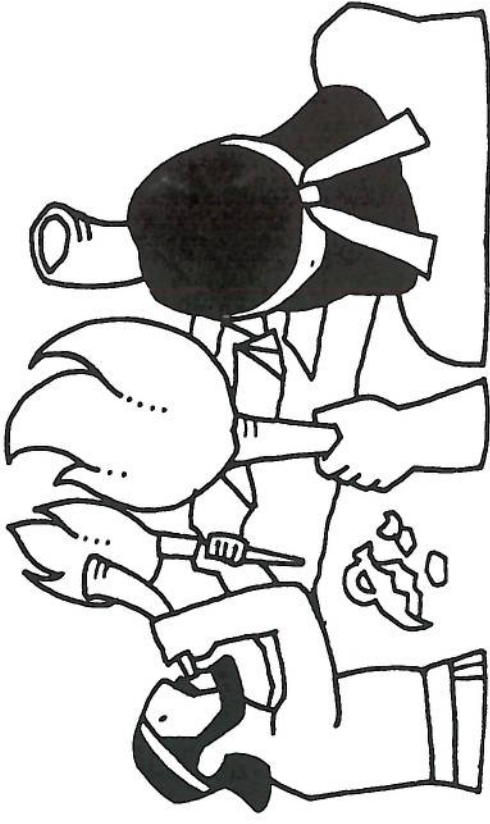
1120 B.C.

→ Use for Jehoshaphat of Judah



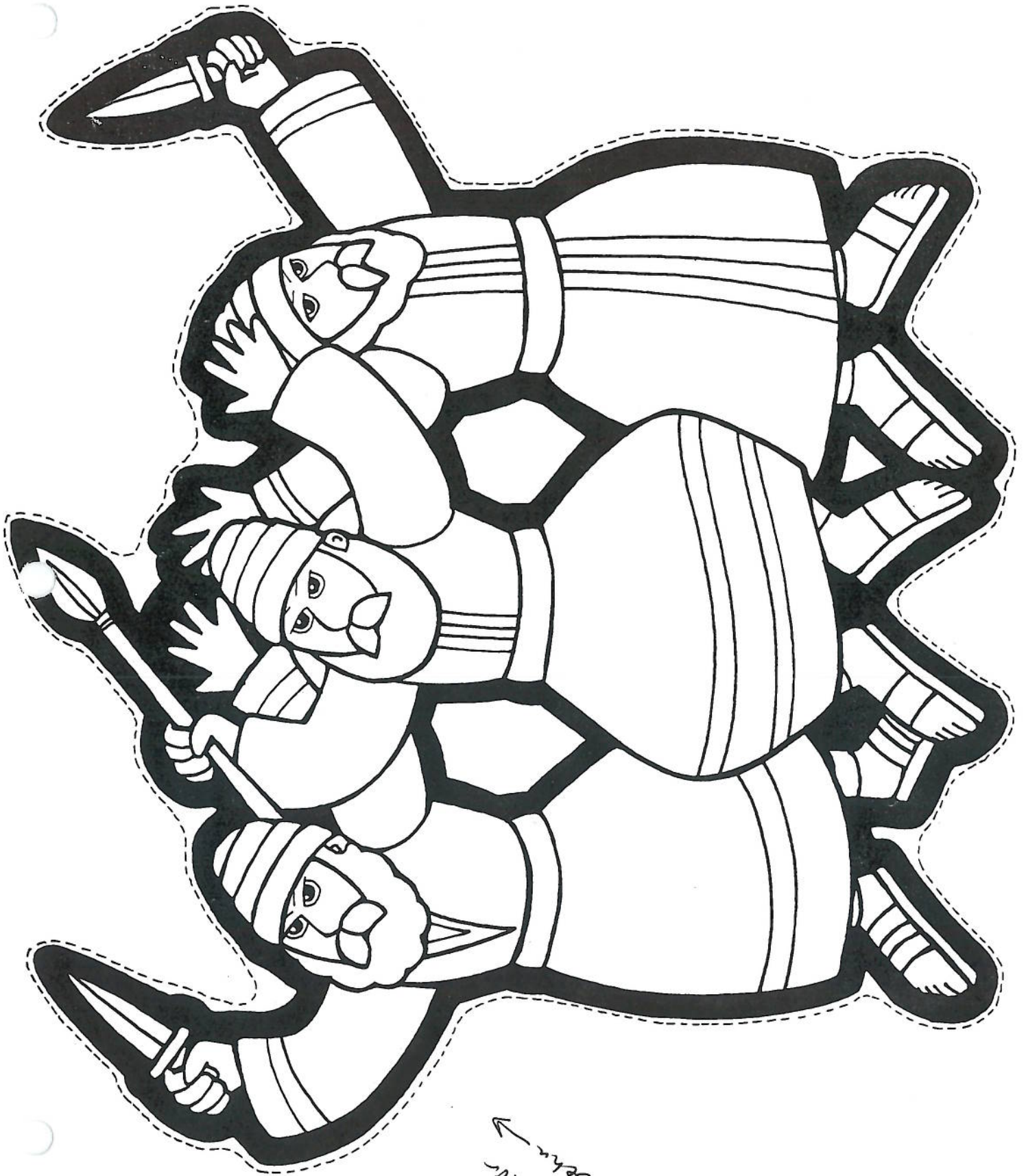
**Gideon Tests God**

Judges 6:11-40



**The Midianites Are Defeated**

Judges 7:1-25



Use for  
Jehon →